



Big Dutchman®



ReproMatic & FluxxBreeder

The feeding system developed specifically for broiler breeders

ReproMatic – the feeding system for broiler breeders

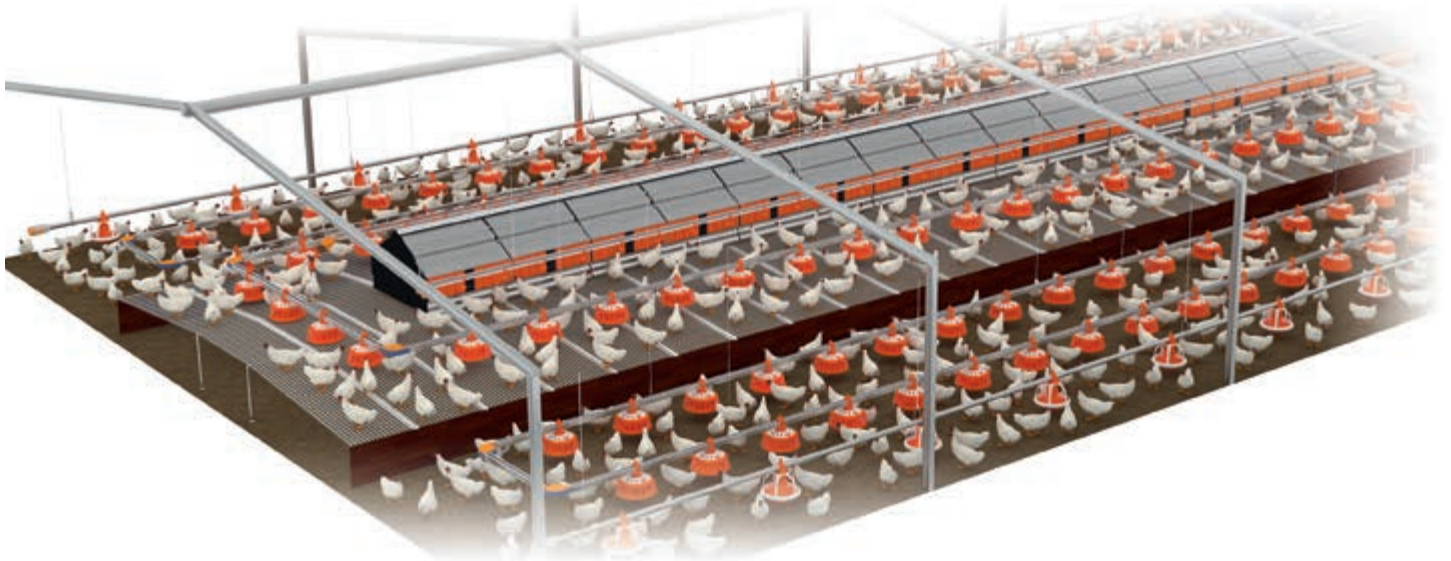
ReproMatic is a Big Dutchman feeding system which was developed exclusively for broiler breeders and combines chain and pan feeding systems.

The birds' uniform physical and sexual development during rearing and a high, long-lasting reproductive capability during the production phase are essential for

broiler breeder management. This can only be achieved with restricted feeding of both males and females. Feed must therefore be available in each pan as soon as feeding starts.

For this reason, a high-capacity conveying system consisting of an open feed channel with chain is the system of choice. The

birds are fed at the FluxxBreeder feed pan. This feed pan was developed specifically for broiler breeders and has 16 feeding windows, thus providing sufficient room for every bird during feed intake.



Concept for a broiler breeder house

Important components of the ReproMatic conveying system



Drive

As the chain drive is always detached from the feed hopper, the feeding system can be easily adapted to any house situation.

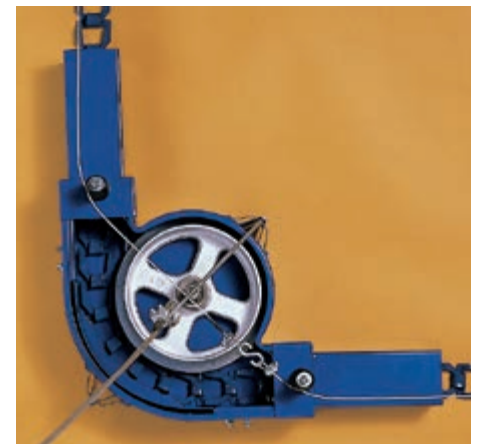
- ✓ high chain speed of 36 m/min;
- ✓ motor output of 1.1/1.5 or 2.2 kW, depending on the chain length.



Feed channel with chain

The CHALLENGER feed chain conveys large quantities of feed at a very high conveying speed.

- ✓ 2 t/h conveying capacity;
- ✓ high tensile strength;
- ✓ smooth chain operation within the channel;
- ✓ open system for easy maintenance.



90° corner

Quality is a prerequisite for trouble-free operation. The specially-designed corner wheel is extremely reliable.

- ✓ fully hardened guide rail;
- ✓ lubrication-free bearing made of plastic for a long service life;
- ✓ wear-resistant bottom (Hardox 400).

FluxxBreeder – the feed pan for rearing and production in day

Rearing

The main aim in rearing is for all hens of a flock to reach laying maturity at the same time. A uniform flock can only develop if all birds have a feeding space of sufficient

width to feed simultaneously. Moreover, pans must be filled immediately, at the same time and speed and to the same level. This is necessary so all birds of a

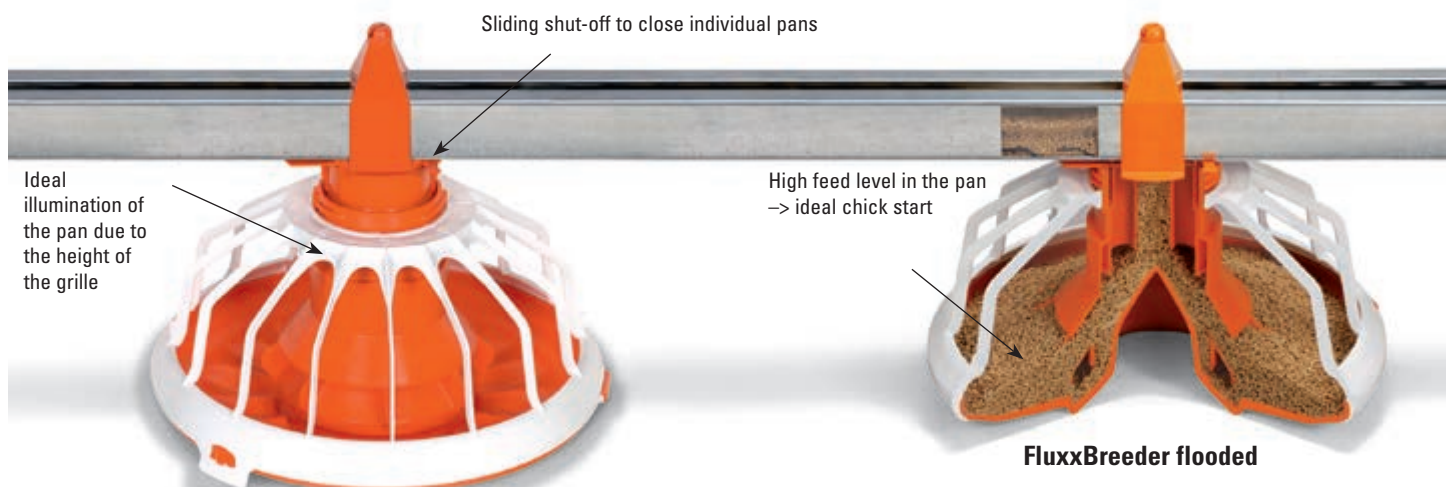
flock receive the same amount of feed during restricted feeding.



Pullets in the rearing phase – ample freedom of movement because of a raised feed channel

Features of FluxxBreeder as used in the rearing phase

- ✓ 360° flooding mechanism makes for a high feed level in the pan when the entire circuit is lowered to the floor, which is ideal for day-old chicks;
- ✓ simple and reliable, one-handed adjustment of the feed level in eleven steps by means of a 3-screw thread, i.e. the feed level cannot be re-adjusted accidentally;
- ✓ flat, sectioned pan dish for good distribution of feed in the pan and reduced feed wastage;
- ✓ integrated volume reducer allows for small feed rations in each pan and thus for fast and simultaneous filling of all pans in a circuit;
- ✓ easy-to-open locking mechanism to unhinge the pan bottom so that the pan can be cleaned easily and thoroughly after every batch;
- ✓ four cleaning holes in the dish to let the remaining wash water drain easily;
- ✓ option to couple the feed pan to the AugerMatic pipe.



old-to-death or separate rearing and production systems

Production

Feed channel with chain

→ high conveying capacity of 2 t/h

→ once the chain starts, every feed pan is filled immediately



Adjustment of the feeding window's width

Adjustable width and height of the feeding window

→ provides day-old chicks in day-old-to-death production with good access to feed

→ ideally suited for all breeds

Flat, sectioned dish

→ for a good feed distribution in the pan

→ birds ingest fine feed particles as well

Adapter for fastening the pan to the feed channel

→ easy to assemble and to disassemble

Pan is not flooded when suspended

→ low feed level in the dish

Simple, one-handed adjustment of the feed level

Integrated volume reducer
→ small feed rations per pan
→ prevents feed bridging

Smooth feed-saving lip, adjustable in height
→ prevents chest bruising and feed wastage

Additional features of FluxxBreeder as used in the production phase

- ✓ 16 feeding windows per pan allow for a high stocking density;
- ✓ circular arrangement of hens around the pan → 60 percent more birds can be fed per running metre compared to a linear trough;
- ✓ special „female only“ FO grille allows for adjustment of eleven feeding windows, additional level ring for four feeding window heights

- 44 setting options
- ideally suited for all breeds
- good access to feed for day-old chicks in day-old-to-death production
- males have no access to the feed;
- ✓ ideal illumination of the pan due to openings in the pan top, making it easy for the hens to see the feed;

- ✓ elevated feed channel and rotatable pan provide ample freedom of movement for the birds;
- ✓ open feed channel facilitates feed control, maintenance and cleaning.



Circular arrangement of hens around the pan with 16 feeding spaces



FluxxBreeder can also be connected to an AugerMatic pipe by means of an adapter

Separate feeding of males

The correct feeding of males is very important for a high fertility rate. Feeding males separately guarantees that all males receive a specified amount of feed. To ensure that all males are provided with a balanced amount of nutrients, it is also possible to use special feed formulas.

A conveying pipe with auger (Auger-Matic) transports the feed to the pans. The feed lines are raised until the hens cannot reach the pans.

MalePan (diameter 330 mm)

- ✓ 5-arm grille
- ✓ suitable for 7 to 9 males
- ✓ with sliding shut-off
- ✓ fixed, stable connection to the pipe
- ✓ filled only when the feed line is raised up

MalePan Plus (diameter 330 mm)

Additional features:

- ✓ sectioned dish
- ✓ volume reducer inside the pan allows fast, simultaneous and even filling of all pans at bird level



MalePan with fixed connection to the pipe and MalePan Plus with volume reducer

Dial-type crane scale

A simple but secure way of weighing feed for separate male feeding is the use of a mechanical scale with sensor.



Separate male feeding with RapidRooster drive and MalePan Plus

How to capitalise on Hygiene

In-house hygiene is very important, which means pans should allow for thorough cleaning without much effort – no problem with FluxxBreeder! Just point the high-pressure cleaner into the pan so the pan starts to rotate. To dry the pan, simply unhinge its bottom.

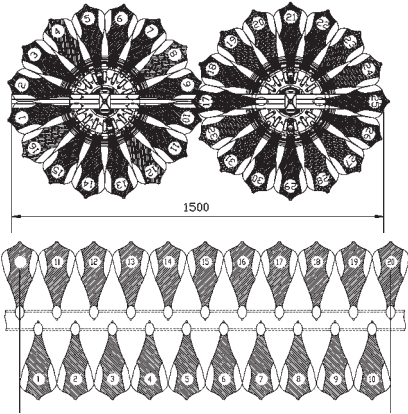
Excess wash water and disinfectants can easily drain off through the additional cleaning holes.



Cleaning holes

Planning aids for the use of ReproMatic

Distribution of birds pan – trough



Because the females are positioned in a circle around the pan, this arrangement can feed 60 percent more birds per running metre than a linear trough.

Adjustment of the feeding windows' width and height – up to 44 combinations

	34	38	40	43	44	45	46	47	48	50	53
55											
61											
67											
73											

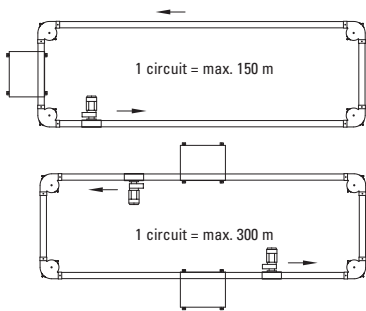
With this large number of adjustment options, it is possible to find the right size of feeding window for any breed.

Drive

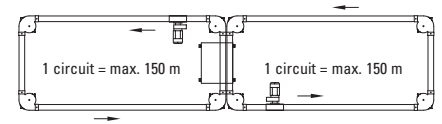
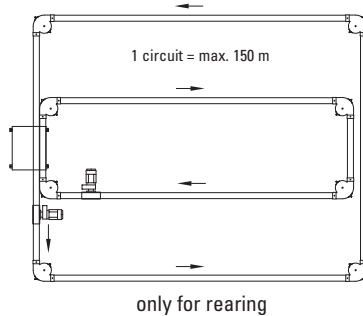
- 400 V, 3-phase
- 400 V, 3-phase
- 240 V, 1-phase
- 240 V, 1-phase

50 Hz, 1.1 kW	1 drive	per circuit for up to 130 m chain length
	2 drives	per circuit for 200 - 300 m chain length
50 Hz, 1.5 kW	1 drive	per circuit for 130 - 200 m chain length
50 Hz, 1.5 kW	1 drive	per circuit for up to 130 m chain length
	2 drives	per circuit for 200 - 300 m chain length
50 Hz, 2.2 kW	1 drive	per circuit for 130 - 200 m chain length

1 line – 1 direction



2 lines – 2 directions



Technical data

Conveying system

- Extension for feed hopper approx. 240 l
- Drive unit 36 m/min
- Conveying capacity > 2 t/h

FluxBreeder

- Material PP / PA / POM
- Height of pan rim 67.5 - 85.5 mm
- Pan diameter 366 mm

Recommended number of birds

- Day-olds 16.5 birds/pan
- Week 10 16 birds/pan
- Week 20 15 birds/pan*

Distance between pans

- Trough length 4.5 m, 6 holes 750 mm
- Trough length 4.0 m, 5 holes 800 mm
- Trough length 4.5 m, 5 holes 900 mm

MalePan / MalePan Plus

- Material PP / PA
- Height of pan rim 71 / 56 mm
- Pan diameter 330 mm
- Recommended no. of birds 7 - 9 males

* only for light breeds; calculate with less birds per pan in case of heavy breeds



Big Dutchman

Germany:
Big Dutchman International GmbH
 Postfach 1163 · 49360 Vechta
 Tel. +49(0)4447 801-0 · Fax -237
 big@bigdutchman.de
 www.bigdutchman.de

USA: Big Dutchman, Inc.

Tel. +1 616 392 5981 · bigd@bigdutchmanusa.com
 www.bigdutchmanusa.com

Brazil: Big Dutchman (Brasil) Ltda.

Tel. +55 54 2101 5900 · bdbbr@bigdutchman.com.br
 www.bigdutchman.com.br

Russia: 000 "Big Dutchman"

Tel. +7 495 229 5161 · big@bigdutchman.ru · www.bigdutchman.ru

Asia/Pacific: BD Agriculture (Malaysia) Sdn. Bhd.

Tel. +60 3 33 61 5555 · bdasia@bigdutchman.com · www.bigdutchman.com

China: Big Dutchman (Tianjin) Livestock Equipment Co., Ltd.

Tel. +86 10 6476 1888 · bdcnsales@bigdutchman.com
 www.bigdutchman.org.cn